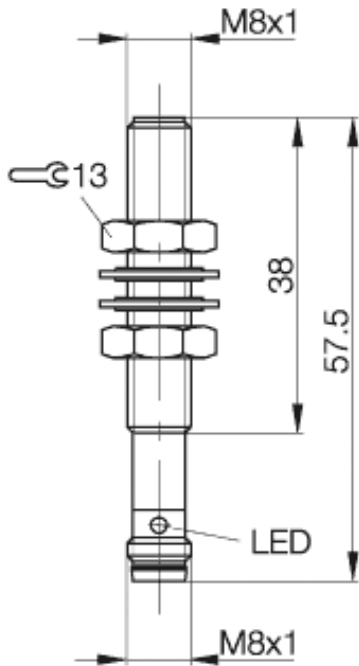


Photoelectric Sensor
BOS 08M-PO-RE10-S49
Sn=1100mm
through-beam



PX1925

Common Data

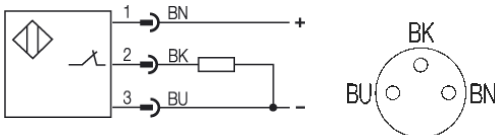
Series	08M
Sensortype	through-beam
Switching frequency	500 Hz
Rated operating distance Sn in mm	1100
assured operating distance Sa	0...1000
Indication Switching element on	yes, red LED
Ambient temperature	-10...+60°C
Off-delay	< 5ms
Light	Infrared, 640nm
Permissible ambient light	per EN 60947-5-2
Output function	light-on

Mechanical Data

Measurements	M8x57,5
Housing material	nickel plated brass
Material of sensing face	PMMA
Degree of protection	IP67
Connection	Connector S49 (M8,3-pin)
Weight	13g
Recommended connector	BKS-S49-

Electrical Data

Current	DC
Switching function	normally-closed
Output	PNP
Rated operational current Ie	100mA
Supply Voltage	10...30V DC
Ripple	< 10% from UB
Frequency of Supply Voltage	DC
No-load supply current	<15mA
Voltage drop	<2V
Short protection	yes
Protected against polarity reversal	yes



Utilization categories
 Insulation class

DC 13

Datasheet number:

Definitions see general catalog.
 If not otherwise noted, ratings according to
 IEC 60947-5-2 (DIN EN60947-5-2)

Balluff GmbH
 Schurwaldstrasse 9
 73765 Neuhausen a.d.F.
 Phone (07158) 173-0 Fax (07158) 5010

Datenblatt by CD-ROM - 04/2007

BALLUFF
 sensors worldwide